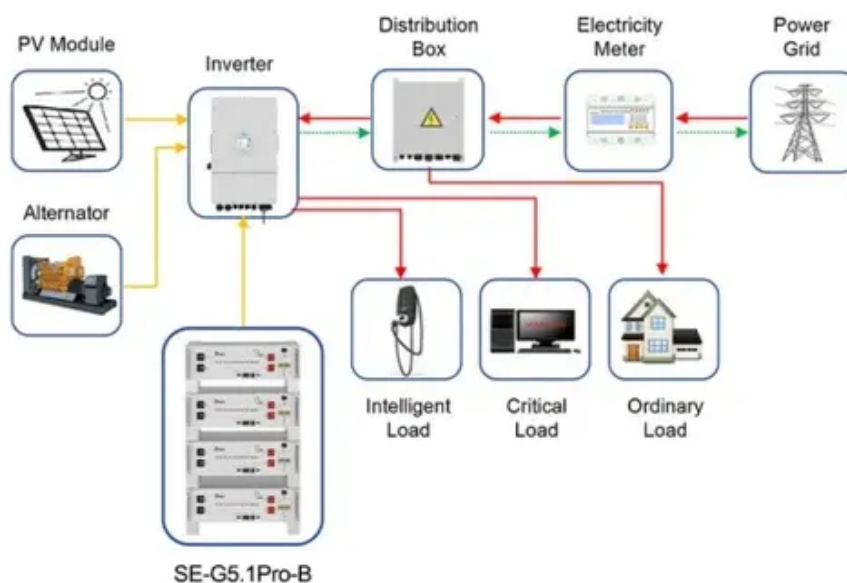




South Africa rechargeable energy storage battery customization



Application scenarios of energy storage battery products





Overview

Summary: Discover how customized energy storage batteries are transforming West Africa's renewable energy landscape. This article explores industry trends, real-world applications, and the growing demand for tailored solutions to support solar and wind projects in the. Eskom is now searching for solutions for demand management and it has started procuring battery energy-storage systems (BESS). It has awarded contracts to two suppliers (a South Korean company called Hyosung Heavy Industries and a Chinese company named Pinggao Group). Both companies will design. Our focus is custom battery pack design, battery pack assembly and advisory services which create specialised products and services to our customers. At Potensa, our core function is to provide innovative customised energy solutions mainly for highly reliable industrial applications. West Africa's energy. Battery storage systems offer a solution by storing surplus energy generated during peak production periods, releasing it when demand's high. South Africa is searching for solutions to achieve economic growth and a sustainable future writes Tshwanelo Rakaibe, Senior Researcher: Energy Centre.



South Africa rechargeable energy storage battery customization



[Advanced Battery Energy Storage Solutions , ENGIE Africa](#)

Discover ENGIE Africa's battery storage solutions for 24/7 renewable energy. Learn about the Oya hybrid project, which powers 180,000 homes - a step towards carbon-neutrality.

[Energy storage solutions pose an opportunity to grow the local ...](#)

South Africa has an emerging Li-ion battery industry, which if adequately supported, can become a key role player in supplying storage solutions to energy producers such as Eskom and other industrial ...



BESS eskom brochure RGB 8 Nov

BESS project. Currently, the Eskom BESS rollout project is the largest to be implemented in Africa. This is a direct response to the urgent need to address South Africa's long running electricity challenges, ...

Renewable Energy Storage Solutions South Africa

Reliable renewable energy storage solutions in South Africa. Store solar power efficiently, reduce electricity costs, and stay independent from the grid.



[Utility-scale batteries in South Africa: Improving grid stability and](#)

This project aims to decommission one of South Africa's oldest coal-fired power plants and replace it with 220 MW solar PV and wind power, as well as 150 MW battery storage. The funding comprises ...

Potensa

Our focus is custom battery pack design, battery pack assembly and advisory services which create specialised products and services to our customers. At Potensa, our core function is to provide ...



[West Africa Energy Storage Battery Customization: Powering ...](#)

Summary: Discover how customized energy storage batteries are transforming West Africa's renewable energy landscape. This article explores industry trends, real-world applications, and the growing ...



[Top 100 Battery Storage Companies in](#)



South Africa (2026) , ensun

Their innovative energy storage solutions, produced in a modern factory in Cape Town, South Africa, are designed for both residential and commercial applications, ensuring energy security and optimized ...



South Africa's battery storage revolution

This transformation hinges on robust energy storage solutions, particularly lithium-ion and vanadium flow batteries, which are poised to play a pivotal role in ensuring grid stability and ...



Contact Us

For catalog requests, pricing, or partnerships, please visit:

<https://firmaskrzypek.pl>

Phone: +48 22 426 71 90

Email: info@firmaskrzypek.pl

Scan the QR code to access our WhatsApp.

