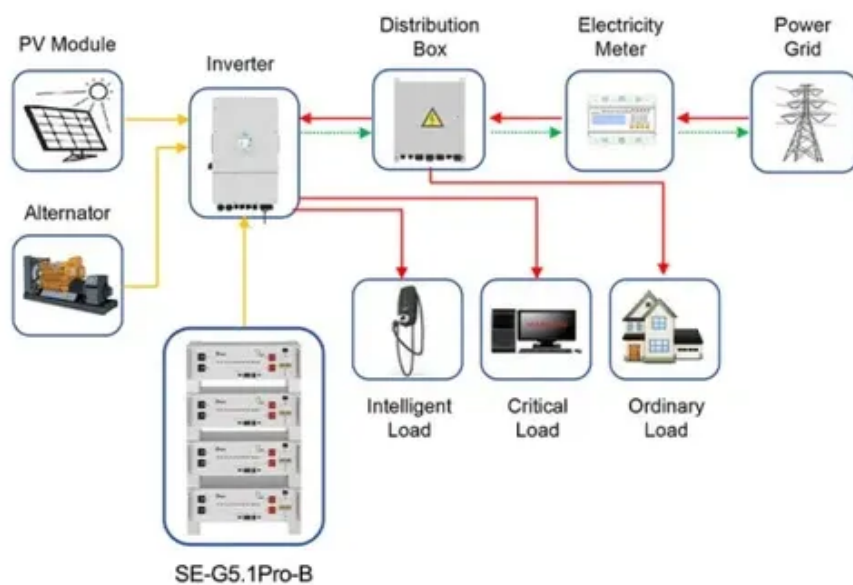




# Photovoltaic panels 670640



Application scenarios of energy storage battery products





## Photovoltaic panels 670640



### [Mono PERC Bifacial Double Glass Photovoltaic Solar Panel 650Watt ...](#)

Based on 210mm silicon wafer and 132 half-cut mono-crystalline PERC cell, the Evo 6 Series photovoltaic panels comes with several innovative design features allowing higher output power up ...

### Project Sunroof

We use Google Earth imagery to analyze your roof shape and local weather patterns to create a personalized solar plan. Adjust your electric bill to fine-tune your savings estimate and the ...



### [Shanghai Alex Solar Energy Science & Technology Co., Ltd.](#)

We are a high-tech enterprise engaged in the manufacture and sale of crystalline silicon solar cells, including 5 mono-crystalline and poly-crystalline solar cells. Founded in 2007, our company is ...

### [ShopSolar: Complete Solar Kits + Lifetime Customer Support](#)

At ShopSolar , we streamline the process with our digital-first platform, offering one-click complete solar power solutions that save you up to 50%, often including batteries, for true energy independence.



## Solar Panels

Installing solar panels can help you save money on your electricity bill and reduce your carbon footprint. Additionally, solar panels can increase the value of your home and provide you with a reliable energy ...



### [PV Solar Panels , Photovoltaic Panels , Solar Electric Panels & Modules](#)

This solar panel holds UL, ETL, and TUV certification, along with many other safety ratings, allowing it to be sold both in the US and internationally. The SPP 280W Poly PV Panel is ideal for all types of solar ...



### [210mm PERC 660W 670W 680W Photovoltaic Panels Manufacturer](#)

These BiMAX6 modules utilize bifacial technology to capture sunlight from both sides, increasing energy production by up to 25% and achieving a peak power output of 685W.



## Solar Panels



These panels are designed for efficient solar energy conversion, making rooftop solar PV (photovoltaic) systems more attainable for (DIY) homeowners and businesses alike. We offer packaged, complete ...



## 670W Photovoltaic Solar Panel

Product Information: 670W Photovoltaic Solar Panels are certified for the most challenging environmental conditions. This 670W Photovoltaic high-power monocrystalline solar panel operates ...

## SunPower - Powering a Brighter Future , SunPower®

Imagine a home or business where solar panels capture energy, intelligent batteries store and manage electricity, and your entire property becomes a smart, responsive energy environment.



## [Mono PERC Bifacial Double Glass Photovoltaic Solar Panel ...](#)

Based on 210mm silicon wafer and 132 half-cut mono-crystalline PERC cell, the Evo 6 Series photovoltaic panels comes with several innovative design features allowing higher output ...



## Contact Us

---

For catalog requests, pricing, or partnerships, please visit:

<https://firmaskrzypek.pl>

Phone: +48 22 426 71 90

Email: [info@firmaskrzypek.pl](mailto:info@firmaskrzypek.pl)

Scan the QR code to access our WhatsApp.

