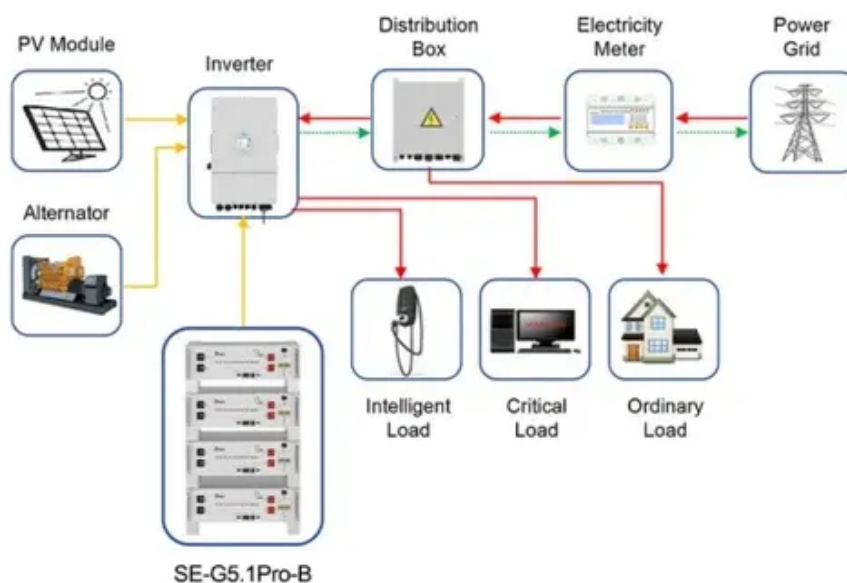




5mwh off-grid bess cabinet used in the austrian mountains



Application scenarios of energy storage battery products





5mwh off-grid bess cabinet used in the austrian mountains



Falcon 5MWh container

The 5MWh ESS is a turnkey energy storage solution designed for industrial and commercial applications. It combines high-capacity battery modules with a reliable PCS inverter system, all within ...

5mwh battery compartments the ultimate bess container solution for

A case study in a high-altitude region demonstrates how a 5MWh BESS container powered a village through harsh winters, thanks to its cold-temperature tolerance.



Battery energy storage systems , BESS

Siemens Energy fully integrated Battery Energy Storage System (BESS) combines advanced components like battery systems, inverters, transformers, and medium voltage switchgear with ...

Battery Energy Storage for Off-Grid Applications

Implementation of a BESS system in an of-grid site will require a energy needs assessment, battery system design, integration and control systems, testing and commissioning.



All-in-One Energy Storage Cabinet & BESS Cabinets , Modular, ...

AZE's All-in-One Energy Storage Cabinet & BESS Cabinets offer modular, scalable, and safe energy storage solutions. Featuring lithium-ion batteries, smart BMS, and thermal management, they're ideal ...



5MWh BESS Product Specification

The total capacity of the battery container is 5.016MWh, which integrates the battery system, BMS, fire suppression system, chiller, and environmental monitoring in the container, compatible with the 2h ...



SUNFiD Solar Energy Storage System

Our Battery Energy Storage System (BESS) can be operated under on-grid and Off-grid operation mode. The BESS system is controlled to cut off the grid connection within 10 seconds and switch to ...

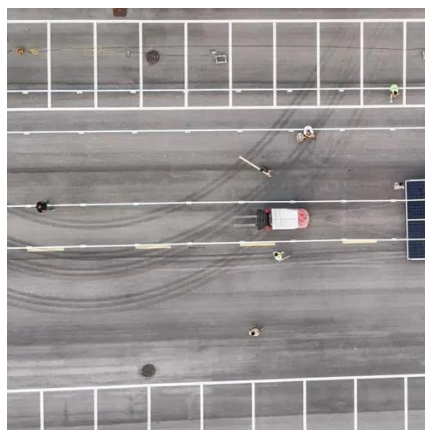


BESS 2.5MW-5MWh Battery Energy



[Storage System 40ft ESS ...](#)

Turnkey 2.5MW / 5MWh battery energy storage system in prefabricated 40ft container. Includes PCS, transformer, EMS, HVAC, and fire protection. Ideal for grid-tied/off-grid industrial use.



[Aster 5000 BESS , 5MWh Liquid-Cooled Utility-Scale Energy Storage](#)

Aster 5000 delivers up to 5 MWh in a compact 20-ft container, 35% more capacity than the previous generation. Its all-in-one design integrates battery modules, PCS, EMS, and thermal management, ...

[Battery Energy Storage Solutions , Apex Energy Australia](#)

Watch this short video walking you through one of our Adelaide assembled 40F containerised Off-Grid solar and battery systems. Reliable and convenient. BESS units are fully FAT tested before ...





Contact Us

For catalog requests, pricing, or partnerships, please visit:

<https://firmaskrzypek.pl>

Phone: +48 22 426 71 90

Email: info@firmaskrzypek.pl

Scan the QR code to access our WhatsApp.

